

EXPLODED VIEW

GRINDER DOSER
SUPER JOLLY

ESSJDOS03.02 09/2009

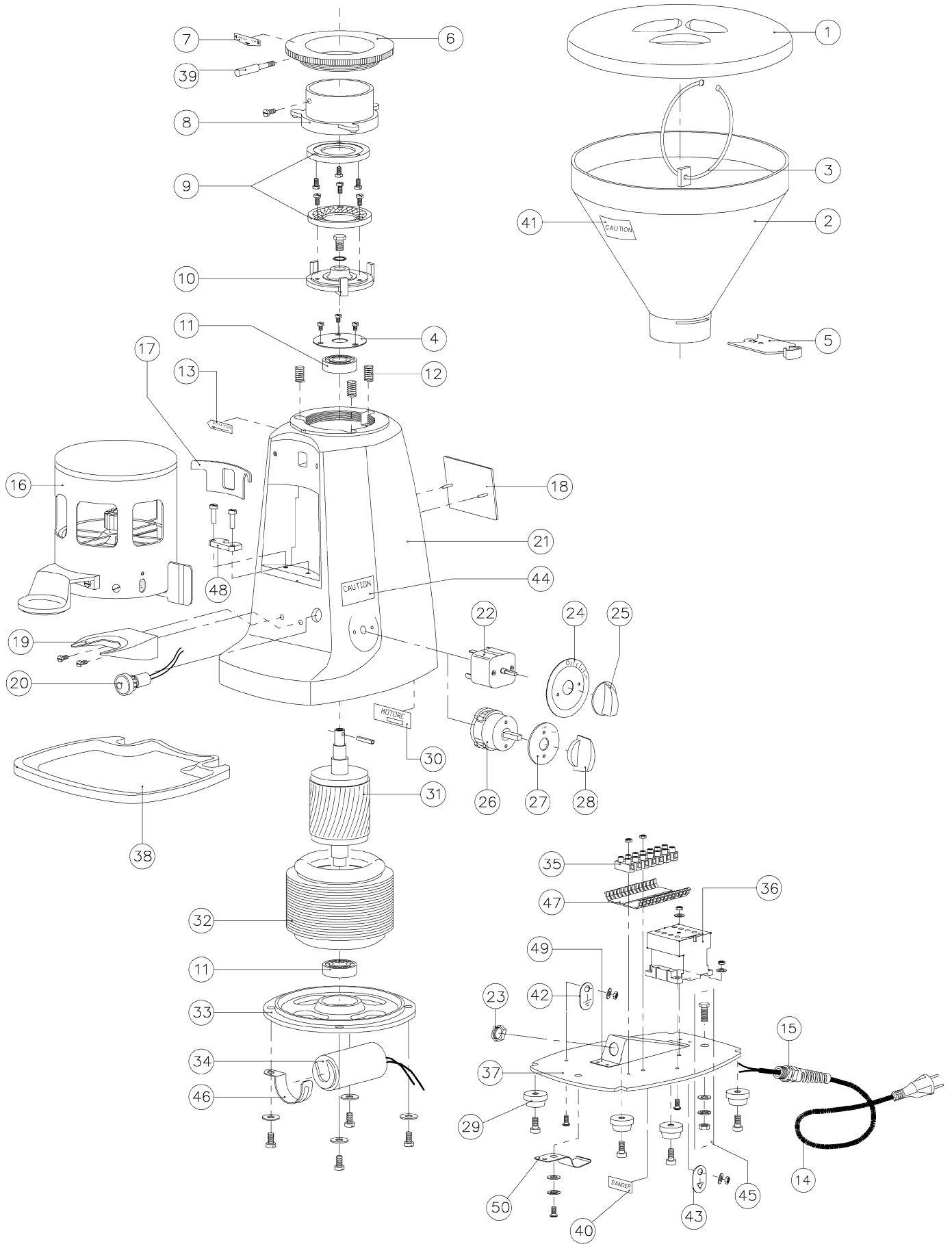


MAZZER LUIGI s.r.l
VIA MOGLIANESE, 113
30030 GARDIGIANO DI SCORZE' (VE)
ITALIA
TEL. +39 041 5830200 r.a. - FAX +39 041 5830060
E-mail: mazzler@mazzler.com - <http://www.mazzler.com>

| N. | DESCRIPTION | CODE | Q. | NOTES |
|-----|---|-----------|----|---|
| 1 | Hopper cover | S000COD01 | 1 | |
| 2 | Hopper | S000CAE02 | 1 | |
| 3 | Magnet with ring | S00SCAC01 | - | Optional |
| 4 | Super Jolly cover bearing | SSJ0COA01 | 1 | |
| 5 | Hopper locking slide | SMI0SEB01 | 1 | |
| 6 | Coffee grinding adjustment disk | SSJ0GHA02 | 1 | |
| 7 | Label "Coarse-fine / Adjustment initial position" | S000ETA03 | 1 | |
| 8 | Upper grinding blade holder | SSJ0POA03 | 1 | |
| 9a | Grinding blade set (ref. 33DM) | FMA00033M | 1 | Single phase versions |
| 9b | Grinding blade set (ref. 33DT) | FMA00033T | 1 | Three phase versions |
| 10 | Lower grinding blade holder | SSJ0POA04 | 1 | |
| 11 | Bearing 6202 DDU CM | S000CUA07 | 2 | |
| 12 | Grinding adjustment spring | SSJ0MOB01 | 3 | |
| 13 | Label: Motor rotation | S000ETA00 | 1 | |
| 14a | Electric cable - "Italy" | S000CAD01 | 1 | |
| 14b | Electric cable - three phase 230V | S000CAD09 | 1 | |
| 14c | Electric cable - three phase 400V | S000CAD03 | 1 | |
| 14d | Electric cable - "Europe" | S000CAD04 | 1 | |
| 14e | Electric cable - "USA" | S000CAD05 | 1 | |
| 14f | Electric cable - "Australia" | S000CAD07 | 1 | |
| 14g | Electric cable - "Great Britain" | S000CAD08 | 1 | |
| 14h | Electric cable - "Israel" | S000CAD10 | 1 | |
| 14i | Electric cable - "Switzerland" | S000CAD06 | 1 | |
| 14l | Electric cable - "China" | S000CAD16 | 1 | |
| 14m | Electric cable - "Argentina" | S000CAD18 | 1 | |
| 14n | Electric cable - "Korea" | S000CAD19 | 1 | |
| 15 | Flexible Cable locking PG11 black | S000PAB04 | 1 | |
| 16a | Manual-Timer doser | SSJSGRA02 | 1 | |
| 16b | Automatic doser | SSJSGRL04 | 1 | |
| 16c | Manual-Timer doser with counter | SSJSGRA06 | 1 | |
| 16d | Manual-Timer doser - ETL | SSJSGRE02 | 1 | ETL versions |
| 16e | Automatic doser - ETL | SSJSGRE04 | 1 | ETL versions |
| 16f | Manual-Timer doser with counter - ETL | SSJSGRE06 | 1 | ETL versions |
| 17 | Gasket | S000GUA01 | 1 | |
| 18 | "Mazzer 4M" plate | S000TAA02 | 1 | |
| 19 | Fork for filterholder rest | S000FOB02 | 1 | |
| 20a | Pilot light 230/400V - green | S000LAA06 | 1 | 220-240V/50Hz single phase vers. 230-400V/50Hz three phase vers. 220V/60Hz single phase vers. |
| 20b | Pilot light 110V UL - red | S000LAA07 | 1 | 110V/60Hz single phase vers. 100/50-60Hz single phase vers. 115-127V/60Hz single phase vers. |
| 21 | Body | SSJ0CAA02 | 1 | |
| 22a | Two pole time switch | S000TIA02 | 1 | Single phase-timer versions |
| 22b | Three pole time switch | S000TIA03 | 1 | Three phase-timer versions |
| 23 | Nut for cable locking PG11 | S000DAA02 | 1 | |
| 24 | Time switch plate | S000TAA03 | 1 | Timer versions |
| 25 | Time switch knob | S000MAB01 | 1 | Timer versions |
| 26a | Two pole rotative switch | S000INA09 | 1 | Manual single phase versions |
| 26b | Three pole rotative switch | S000INA04 | 1 | Manual three phase versions |
| 26c | Two pole rotative switch with auxiliary phase | S000INA13 | 1 | Automatic single phase versions |
| 26d | Three pole rotative switch with auxiliary phase | S000INA10 | 1 | Automatic three phase versions |
| 27a | Switch plate - O / I | - | 1 | Manual versions |
| 27b | Switch plate - O / I / START | - | 1 | Automatic versions |
| 28 | Rotative switch knob | - | 1 | |
| 29 | Support legs | S00SPIA01 | 4 | |
| 30a | Motor label SJ 220-240V/50Hz | SSJ0ETA01 | 1 | |
| 30b | Motor label SJ 220-400V/50Hz | SSJ0ETA03 | 1 | |
| 31 | Rotor | SSJ0ROA01 | 1 | |
| 32a | Coiled stator single phase 220-240V/50Hz | SSJSPA01 | 1 | 220-240V/50Hz single phase vers. |
| 32b | Coiled stator three phase 230-400V/50Hz | SSJSPA03 | 1 | 230-400V/50Hz three phase vers. |
| 32c | Coiled stator single phase 110V/60Hz | SSJSPA04 | 1 | 110V/60Hz single phase vers. 115-127V/60Hz single phase vers. |
| 32d | Coiled stator single phase 220V/60Hz | SSJSPAS01 | 1 | 220V/60Hz single phase vers. |
| 32e | Coiled stator single phase 100V/50-60Hz | SSJSPAJ00 | 1 | 100/50-60Hz single phase vers. |
| 33 | Motor cap | SSJ0CAB02 | 1 | |
| 34a | Capacitor 8 uF | S000COE01 | 1 | 240V/50Hz single phase vers. 220V/60Hz single phase vers. 230-240V/50Hz single phase vers. |
| 34b | Capacitor 10 uF | S000COE02 | 1 | 220-230V/50Hz single phase vers. |

| N. | DESCRIPTION | CODE | Q. | NOTES |
|-----|--------------------------------------|-----------|----|---|
| 34c | Capacitor 30 uF UL | S000COE08 | 1 | 110V/60Hz single phase vers. 115-127V/60Hz single phase vers. |
| 34d | Capacitor 40 uF UL | S000COE15 | 1 | 100/50-60Hz single phase vers. |
| 35 | Terminal blocks | S000MOA04 | 1 | 12 poles |
| 36a | Contactora MC9.10 – 230V/50Hz (*) | S000COC02 | 1 | Aut. single phase. 220-230V/50Hz Three phase 220-230V/50Hz |
| 36b | Contactora MC9.10 – 380V/50Hz (*) | S000COC08 | 1 | Three phase 380-400V/50Hz |
| 36c | Contactora 3RT1016 – 240V/50Hz | S000COC26 | 1 | Aut. single phase. 240V/50Hz |
| 36d | Contactora BG9.10 - 230V/50Hz | S000COC18 | 1 | Aut. single phase. 220-230V/50Hz Three phase 220-230V/50Hz |
| 36e | Contactora 3RT1016 – 400V/50Hz | S000COC27 | 1 | Three phase 380-400V/50Hz |
| 36f | Contactora BG9.10 – 100V/50-60Hz | S000COC24 | 1 | Aut. single phase. 100V/50-60Hz |
| 36g | Contactora BG9.10 – 220V/60Hz | S000COC28 | 1 | Aut. single phase. 220V/60Hz |
| 36h | Contactora MC9.10 – 110V/60Hz | S000COC01 | 1 | Aut. single phase. 110V/60Hz |
| 37a | Bottom plate - single phase versions | SSJ0PIT01 | 1 | Single phase-timer vers. Manual single phase vers. |
| 37b | Bottom plate - three phase versions | SSJ0PIT02 | 1 | Automatic versions Manual three phase vers. Three phase-timer vers. |
| 38 | Drip tray | SSJ0PIB02 | 1 | |
| 39 | Grinding adjustment disk handle | SSJSPEA04 | 1 | |
| 40 | Label: "Danger" | S000ETA14 | 1 | 110V/60Hz versions 100V/50-60Hz versions 115-127V/60Hz versions 220V/60Hz versions |
| 41 | Label: "Caution-Hopper" | S000ETA15 | 1 | 110V/60Hz versions 100V/50-60Hz versions 115-127V/60Hz versions 220V/60Hz versions |
| 42 | "Ground" plate | S000TAA18 | 1 | |
| 43 | "External unipotential clamp" plate | S000TAA19 | 1 | CE versions |
| 44 | "Caution" plate | S000TAA20 | 1 | 110V/60Hz versions 100V/50-60Hz versions 115-127V/60Hz versions |
| 45 | External unipotential clamp | - | 1 | CE versions |
| 46 | Capacitor locking clamp 40 | S000GRB05 | 1 | |
| 47 | Under terminal board | S000SOT02 | 1 | 12 poles |
| 48 | Doser fixing block ETL | S000PIA10 | 1 | 110V/60Hz versions 115-127V/60Hz versions |
| 49 | Cable locking support | S000SUA01 | 1 | |
| 50 | Sheet for Drip Tray locking | SMI0LAM01 | 1 | |

(*) = Spare parts for appliances bought before 01st/07/2006 only



| N. | DESCRIPTION | CODE | Q. | NOTES |
|-----|--------------------------------------|-----------|----|---|
| 1 | Doser cover | S000COD02 | 1 | |
| 2 | Cylinder for doser | S000CIA01 | 1 | |
| 3 | Dose adjustment knob | S000MAB02 | 1 | |
| 4 | Upper dosing star | SSJSSTA04 | 1 | |
| 5 | Coffee outlet covering section plate | S000SEA01 | 1 | |
| 6 | Female dosing star | S000STA03 | 1 | |
| 7 | Dosing system pressing spring | S000MOB05 | 1 | |
| 8 | Male dosing star | S000STA02 | 1 | |
| 9 | Upper microswitch | S00SMIA07 | 1 | Automatic versions |
| 10a | Manual doser pipe | SSJ0TUA03 | 1 | Manual-timer versions |
| 10b | Automatic doser pipe | SSJ0TUA01 | 1 | Automatic versions Manual-timer vers. with counter |
| 11a | Coffee pressing device D.53 | S000PRA02 | 1 | |
| 11b | Coffee pressing device D.54,5 | S000PRA02 | 1 | |
| 11c | Coffee pressing device D.57,5 | S000PRA02 | 1 | |
| 12 | Corrugated ring D.32 | S000ANA01 | 1 | |
| 13 | Ratchet | S000CRA02 | 1 | |
| 14 | Doser adjustment screw - M8x70 | S000VIA01 | 1 | |
| 15 | Lower microswitch spring | S000MOB06 | 1 | Automatic version |
| 16 | Lower microswitch star | S000STA05 | 1 | Automatic version |
| 17 | Lower microswitch | S00SMIA04 | 1 | Automatic version |
| 18 | Counter | S00SCOB02 | 1 | Automatic versions Manual-timer vers. with counter |
| 19 | Dosing lever return spring | S000MOB03 | 1 | |
| 20 | Nose | S000NAA01 | 1 | |
| 21 | Doser bottom | S000FOA03 | 1 | |
| 22 | Nose spring | S000MOB04 | 1 | |
| 23 | Dosing lever | S00SLEA02 | 1 | |
| 24 | Doser bottom set | S00SFOA01 | 1 | |
| 25 | Coffee outlet guard | S000PRB02 | 1 | |
| 26 | Screw without slot | S000VIA04 | 2 | ETL versions |
| 27 | Doser washer D.50 thick. 0,4 | S000ROA02 | 1 | |
| 28 | Lower microswitch star space | S000DIA01 | 1 | |
| 29 | Label "Danger" | S000ETA14 | 1 | 110V/60Hz versions 100V/50-60Hz versions 115-127V/60Hz versions 220V/60Hz versions |
| 30 | Oversized female dosing star | S000STA06 | 1 | |
| 31 | Oversized dose adjustment knob | S000MAB03 | 1 | |
| 32 | Oversized star with dosing knob | S00SGRA08 | 1 | |

